

ICON

Guided by Japanese production methods and manufactured in a TUV-certified ISO 9001 : 2000 facility, Magnus microscopes are today recognized for their precision engineering and high-performance optics.

Magnus has a significant presence in the healthcare & education sectors in the Indian market and its microscopes have been the preferred choice for a number of World Bank funded projects. Since 1995, more than 15,000 Magnus microscopes have been supplied to important World Bank public health programs.

The core team at Magnus has been specially trained in Japan & Germany by experts from leading optical engineering companies in the world.

Magnus now offers the Icon – The Microscope with Plan Infinity Optics and features that are best in class for this category of Microscopes.

Plan Infinity Optics

The newly-developed Plan Infinity optics with Multi Layer coatings provide objectives with excellent flatness, thus producing sharp, clear images up to the edge of the field of view. The standard set include 4x, 10x, 40x and 100x oil objectives. Options of 20x as well as 50x Semi Apo No Cover Slip Objective is also available.

Widefield FN 20 Eyepieces

Paired 10X Widefield eyepieces with FN 20 make for very comfortable viewing of samples, ensuring long hours of fatigue-free operation.

Koehler Illumination

An Abbe condenser, with N.A. 1.25 and built-in aperture diaphragm and centring screws combined with field iris diaphragm gives even Koehler illumination for the samples.

Inward Nosepiece

Quadruple Inward Nosepiece gives a better visual feel of the slides under observation. It also allows an easy

access to the slides and provides a clear view of the objective being used to examine the slide. Quintuple nosepiece option is also available.

Dual Slide Holder

Dual slide holder increases productivity by having two slides mounted on the stage and a quick change-over from one slide to another. This feature saves overall time for the user.

LED Illumination

Now shift to the High Brightness long life LED light source with a lifetime of at least 30000 hours. The LED light source is also available with the an in-built battery back-up for 6-8 hours of operation. There is also an option of charging the batteries with a solar panel, thus removing dependence on the grid supply.

Anti Fungus Treatment

The optics (observation tubes, eyepieces and objectives) are anti-fungus treated to maintain their optimum functionality even in high humidity areas.

Double Layer Mechanical Stage

The stage is a Double Layer Mechanical stage with ergonomic long handle control knobs for easy X-Y movement of the slide.

Trinocular Head

The Icon comes with an option of a trinocular head to mount a Digital SLR camera or a range of USB/ Firewire cameras for connectivity to a laptop or desktop computer.

Upgradable to Fluorescence

The Icon can be upgraded to an LED Fluorescence microscope by adding the MicroLED attachment for Blue and Green excitations.

A complete microscope for all
medical and education needs



Inward Nosepiece



Koehler Illumination



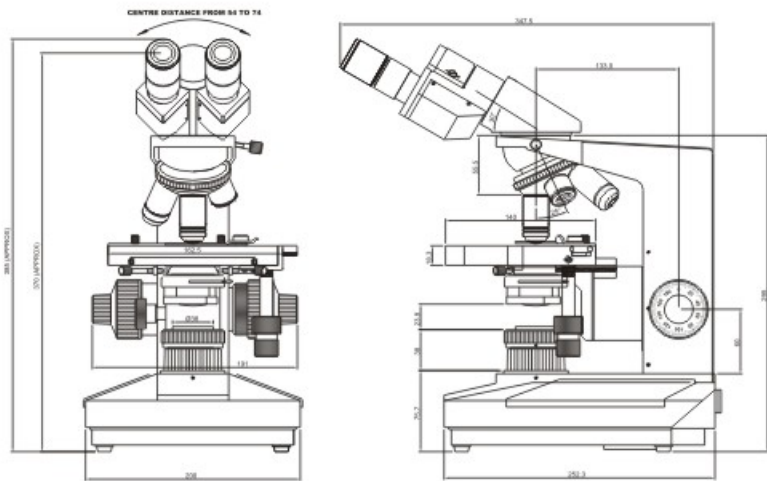
Dual Slide Holder



Widefield FN20 Eyepiece

Model	Magnus Icon
Body	Aluminium die-cast body with all critical movements based on ball bearing & wire guides thereby ensuring smooth & precise manipulation
Mechanical Stage	Co-axial low drive double layer mechanical stage (140mm x 160mm) with traverse area of 50mm x 75mm
Focusing System	Coaxial coarse/fine focus, with tensional adjustment and minimum fine focusing range of 2µm.
Nosepiece	Quadruple inward revolving nosepiece based on precision ball-bearing mechanism with positive click stop
Option (a) Illumination base (6V20W Halogen Light)	Built-in illumination base with pre-centred 6V 20W halogen light source coupled with an efficient collector lens system and Koehler to provide optimum brightness along the optical path. Power supply 230V AC. 50Hz single phase
Option (b) LED Light source (with battery back-up)	LED Light source: High brightness, longlife (30000hrs) 1W LED. Battery Back-up: In-built NiMH Rechargeable batteries provide 6 to 8hrs back-up on full charge
Abbe condenser	N.A.1.25 Rack & pinion adjustable, centered through dual adjustment knobs.
Eyepiece	WF 10x (FN 20) paired eyepiece. The unique optical design of the compensating eyepiece provides relief from eye fatigue and renders colour-compensated wide-field images of utmost clarity.
Infinity corrected Plan Achromat Objectives (Anti fungus treated)	Plan Achromat 4X/0.10 WD 25mm
	Plan Achromat 10X/0.25 WD 5mm
	Plan Achromat 40X/0.65(Spring) WD 0.5mm
	Plan Achromat 100X/1.25(Spring, Oil) WD 0.14mm
Binocular Head	Binocular (30 degree inclined seidentopf, 360 degree rotatable, diopter adjustment with a special anti-fungus treatment

Specifications are subject to change without notice.



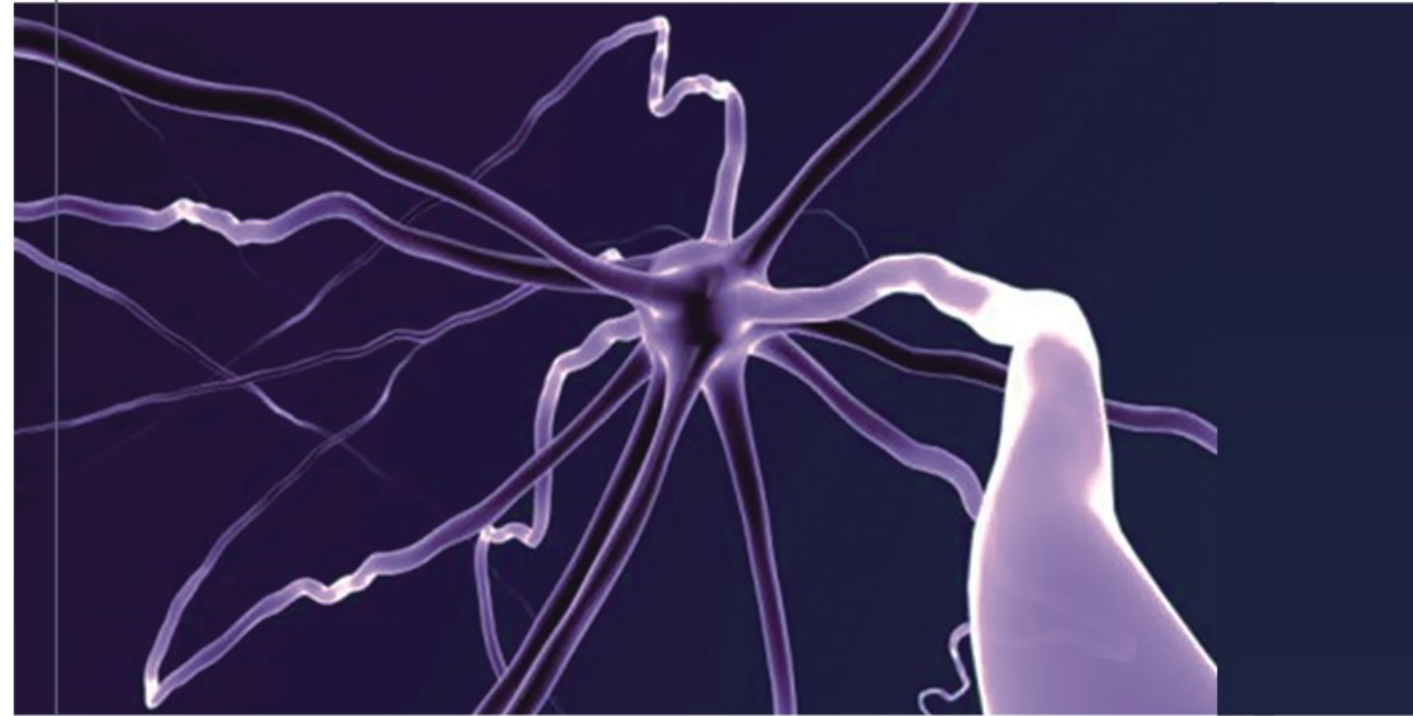
Magnus

MAGNUS ANALYTICS

A-5, Mohan Co-operative Indl. Estate, Mathura Road, New Delhi-110044 India
 Tel.: 91-11-30886764, 30886739, Fax: 91-11-26959382
 E-mail: exports@magnusanalytics.com Website: www.magnusanalytics.com

All standard sets are supplied as per specifications which are subject to change without any obligation on the part of the manufacturer.
 Optics are anti-fungus treated & with multi-layer coatings. Accessories shown may not be part of standard equipment.

ICON



The Plan Infinity Microscope

Magnus

CAL 1K 10 10